

LANARK COUNTY



BLAKENEY BRIDGE REPORT #PW-35-2023

Public Works Committee
December 13, 2023

Sean Derouin, Public Works Manager

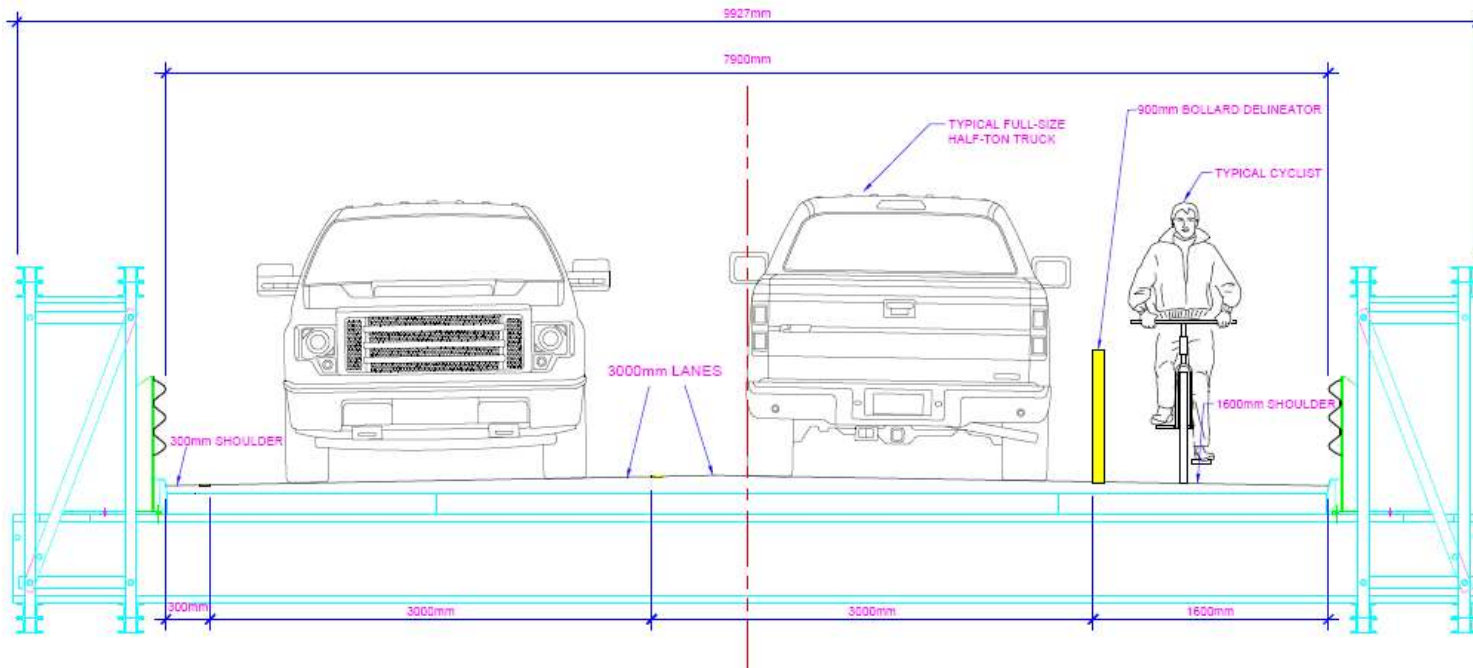
PURPOSE

- To obtain approval from the PW Committee to proceed with the award for the supply of the modular bridge for Blakeney as tendered.



BACKGROUND

- Council approved a two-lane 7.3m replacement modular bridge in December 2022.
- Mississippi Mills Council passed a resolution to contribute \$180K to widen the bridge to 7.9m to accommodate pedestrians in May 2023.
- PW retained Keystone Bridge Engineering in September 2023 to complete the detailed design.



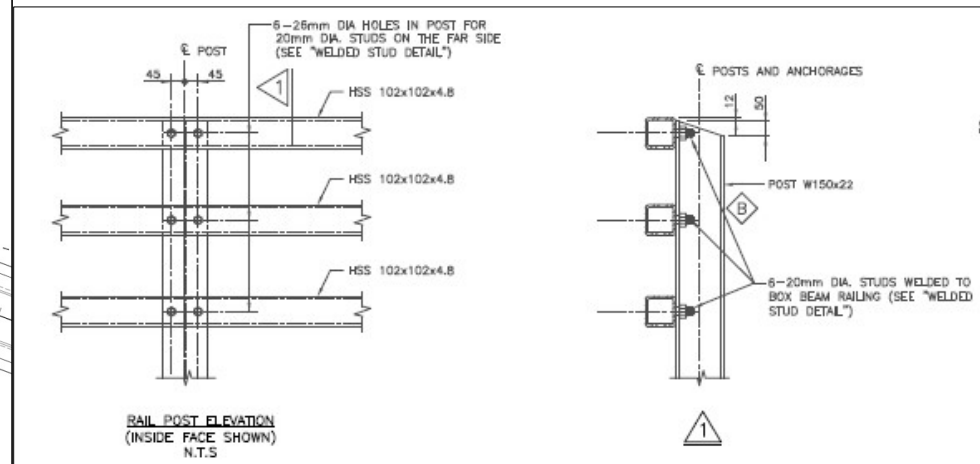
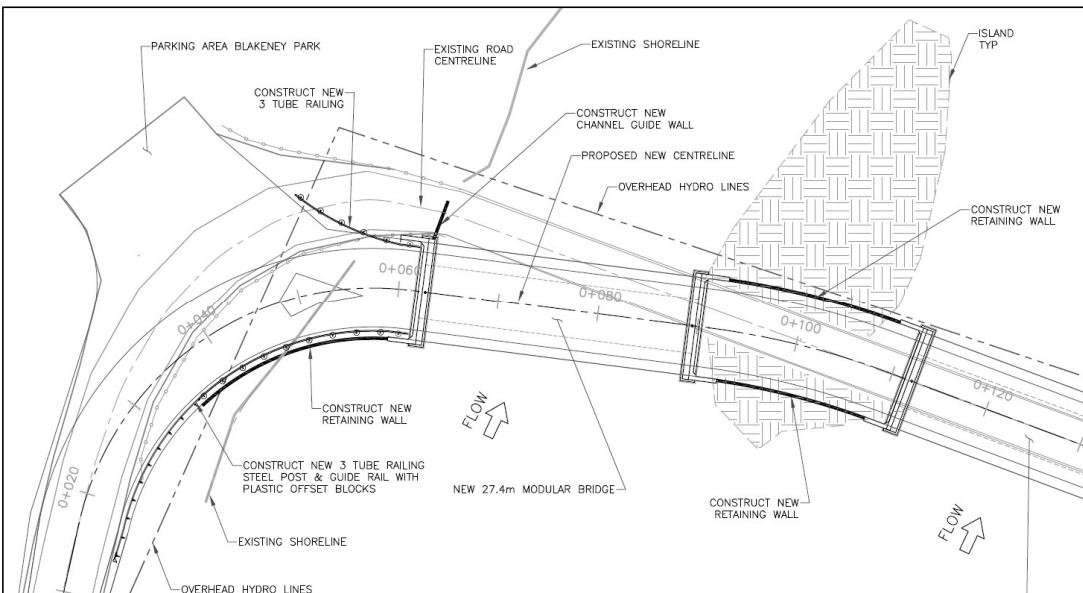
DISCUSSION

- Tender for the supply of the modular bridge was advertised on Merx on November 2, 2023 and closed on December 5.
- 2 bids received:
 - ACROW Ltd.: \$1,238,004
 - Algonquin Bridge: \$1,399,750



DISCUSSION

- Updates on the design progress:
- It was decided to proceed with 3 bridges instead of 2 due to potential constructability issues with launching a 150' bridge.
- The west bridge alignment has been kinked to provide an improved approach to the bridge.
- Railing to be a 3-Box beam railing to provide additional protection to the trusses and provide the required barrier height for pedestrians.
- Landscape consultant has been attained to provide design guidance for a potential viewing platform on the large island.



ANALYSIS AND OPTIONS

1. Proceed with award for the supply of the bridge.
2. Do Nothing



FINANCIAL IMPACT

- Original high-level estimate completed by Public Works was \$4.5M
- Refined estimate completed by a consultant assignment was **\$3.85M** for a 7.3m bridge and \$4.03M for a 7.9m bridge (\$180K from Mississippi Mills).
- Budget for the supply and delivery of the bridge ~\$1.6M
 - \$1,238,004 low bid, \$362K savings
- \$1M of the bridge replacement funded by 2023 Public Works capital budget and the remaining to be funded by reserves as approved in the 2023 and 2024 budgets.



LOCAL MUNICIPAL IMPACT

- The modular bridge will provide the residents of Mississippi Mills with a safe and economically efficient crossing with the least impacts to local traffic during construction.



CLIMATE & SUSTAINABILITY IMPACT

- The use of pre-fabricated modular bridges optimizes the efficient use of construction materials, minimizes waste generation, provides for shorter construction time and road closures, and reduces disturbances to the local environment.



SUGGESTED MOTION

THAT, County Council authorize the awarding of Contract C-69-2023-24-E0, Supply of Modular Bridge Material to Replace Blakeney Bridge to ACROW Ltd. for \$1,238,004, plus HST.



**MINUTES
ELEVENTH MEETING OF 2023
PUBLIC WORKS
COMMITTEE OF THE WHOLE**

The Public Works Committee of the Whole met in regular session on Wednesday, December 13, 2023 immediately following County Council.

Members Present: Chair/Warden S. Fournier, Councillors P. McLaren, C. Lowry, R. Minnille, K. Jennings (electronically), J. Carroll, J. Brown, E. McPherson, F. Dobbie, R. Rainer, R. Kidd, B. Dowdall, A. Tennant (electronically), and J. Matheson.

Staff/Others Present: K. Greaves, CAO
J. Ralph, County Clerk
M. Beson, Deputy Clerk
T. McCann, Director of Public Works
E. Gallant, Climate and Environmental Coordinator

Regrets: Councillor B. King, T. Randell

PUBLIC WORKS

Chair: Councillor S. Fournier

1. CALL TO ORDER (Reminder please silence all electronic devices)

The meeting was called to order at 5:11 p.m.
A quorum was present.

2. RECESS

i) Recess

MOTION #PW-2023-76

MOVED BY: C. Lowry **SECONDED BY:** E. McPherson

That Council recess to the Economic Development Committee Meeting at 5:12 pm.

ADOPTED

3. DISCLOSURE OF PECUNIARY INTEREST

None at this time.

4. APPROVAL OF MINUTES

November 22, 2023

MOTION #PW-2023-77

MOVED BY: E. McPherson **SECONDED BY:** F. Dobbie

THAT, the minutes of the Public Works Committee meeting held on November 22, 2023 be approved as circulated.

ADOPTED

5. ADDITIONS AND APPROVAL OF AGENDA

December 13, 2023

MOTION #PW-2023-78

MOVED BY: P. McLaren **SECONDED BY:** J. Carroll

THAT, the agenda be approved as presented.

ADOPTED

6. DELEGATIONS (10 MINUTES)

7. QUESTIONS OF THE DELEGATION FROM COUNCIL

8. PRESENTATIONS

9. COMMUNICATIONS

- i) Request to Amend Highway Traffic Act for Use of Automated Speed Enforcement Systems
Town of South Bruce Peninsula

- ii) Gas Line Expansion
Climate Network Lanark

Councillor Rainer spoke to this item and noted that the Tay Valley Council had passed a resolution to support alternative options.

MOTION #PW-2023-79

MOVED BY: R. Rainer **SECONDED BY:** R. Minnille

***THAT,** the communications for the December Public Works Committee meeting be received as information.*

ADOPTED

10. CONSENT REPORTS

11. DISCUSSION REPORTS

- i) PW-34-2023 Better Homes Lanark Feasibility Study and Program Design
Elizabeth Gallant, Climate Environmental Coordinator

There were discussions related to the cap - Retrofit loans up to the lesser of 10% of the current property value, or \$40,000. Council provided direction to increase the cap of the retrofit loans.

MOTION #PW-2023-80

MOVED BY: P. McLaren **SECONDED BY:** R. Rainer

THAT, County Council approve a contribution of \$5 million in funding from reserves as the capital contribution to the Better Homes Lanark Program (BHL) under the Federation of Canadian Municipalities' (FCM) Community Efficiency Financing (CEF) program;

AND THAT, staff be authorized to prepare and submit the CEF program application.

ADOPTED

- ii) PW-35-2023 Award of Contract for the Supply of the Blakeney Bridge
Sean Derouin, Public Works Manager

MOTION #PW-2023-81

MOVED BY: R. Minnille **SECONDED BY:** C. Lowry

THAT, County Council authorize the awarding of Contract C-69-2023-24-E0, Supply of Modular Bridge Material to Replace Blakeney Bridge to ACROW Ltd. for \$1,238,004, plus HST.

ADOPTED

- iii) PW-36-2023 Public Hearing for Road Closing and Disposal of Surplus Lands Former County Road 8 (Watsons Corners Road)
Terry McCann, Director of Public Works

Committee received the presentation from T. McCann, Director of Public Works related to the item.

The Committee recessed at 6:27 p.m. to hold a Public Hearing for the proposed closing and sale of portions of former County Road 8 as outlined in Report #PW-30-2023 (October 18th, 2023 Public Works Committee) Motion #PW-2023-64.

MOTION #PW-2023-82

THAT, the Committee recess at 6:27 p.m. to hold a Public Hearing for the proposed closing and sale of portions of former

County Road 8 as outlined in Report #PW-30-2023 (October 18th, 2023 Public Works Committee) Motion #PW-2023-64.

ADOPTED

MOTION #PW-2023-83

MOVED BY: F. Dobbie **SECONDED BY:** E. McPherson

***THAT,** the Public Hearing close and the Committee return to regular session at 6:29 p.m.;*

***AND THAT,** there being no objections from the public, the Clerk presents the necessary By-Law at the December 13th 2023 meeting of County Council to stop-up, close and sell a portion of the former County Road 8, in the Township of Lanark Highlands, County of Lanark, designated as Parts 4, 6, and 11 of Registered Plan 27R-12153.*

ADOPTED

12. VERBAL REPORTS

- i) Climate Action Working Group
Councillor R. Minnille

MOTION #PW-2023-84

MOVED BY: B. Dowdall **SECONDED BY:** E. McPherson

***THAT,** the Report of the Climate Action Working Group be received as information.*

ADOPTED

13. DEFERRED REPORTS

14. CONFIDENTIAL REPORTS

15. NEW/OTHER BUSINESS

16. ADJOURNMENT

The Committee adjourned at 6:31 p.m. on motion by Councillors Carroll, Lowry.

Jasmin Ralph, Clerk

A handwritten signature in black ink, appearing to read 'Kurt Greaves', with a long horizontal line extending to the right.

Kurt Greaves, CAO